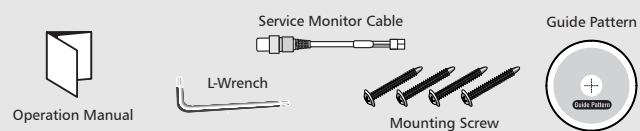


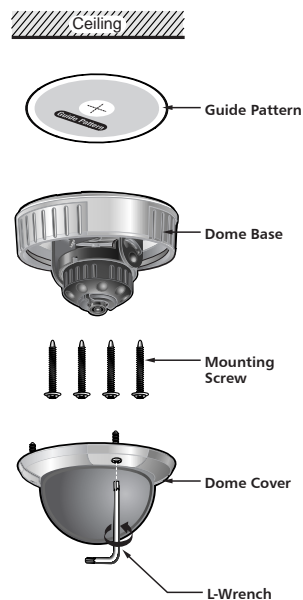
COMPOSITION:

You must be fully aware of all the distinctive features and precautions related to this camera before installing it.

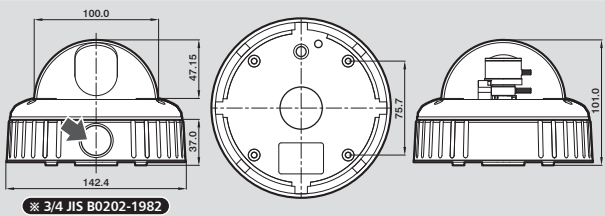


INSTALLATION:

- Stick the guide pattern on the wall or ceiling.
- Drill four holes according to the guide pattern then insert anchors into the drilled holes.
- Draw out power / video wires to the connecting places.
- Fix the camera to a ceiling using four screws.
- Adjust desired focus and scene by turning and moving the 3-axis camera bracket by hand.
- Put the dome cover over the base.
- Fix the dome cover on the base by L-Wrench.



DIMENSIONS(mm):



SPECIFICATIONS:

Model	NTSC	PAL
Signal System	NTSC : 525 Lines	PAL : 625 Lines
Scanning System	2 : 1 Interlace	
Scanning Frequency (H)	15.734kHz	15.625kHz
Scanning Frequency (V)	59.94Hz	50Hz
Image Sensor	1/3" SONY Super HAD CCD	
Total / Effective Pixels No.	410K / 380K	470K / 440K
S/N Ratio	More than 50dB (AGC Off)	
Resolution	550 TV Lines	
Video Output Level	1.0 Vp-p (75 Ohms, composite)	
Lens	Fixed Lens : f=4.0mm	
Focus	Manual	
Sync. System	Internal	
Sensitivity	0.3 Lux	
Electronic Shutter	1/60 ~ 100,000 Sec.	1/50 ~ 100,000 Sec.
White Balance	Auto	
AGC	On / Off	
BLC	On / Off (with Slide Switch)	
Flickerless	On / Off (with Slide Switch)	
Input / Output Connector	Power, Video	
Power Consumption	12VDC (10V~15V) / 3W (Max)	
Dome Size (Ø)	100mm	
Weight	Approx. 844g	

Need Help?
Call 1.800.796.CCTV for sales, service and customer support.
www.honeywellvideo.com

P/N:3810-0055Q Rev 0 05/23

Honeywell

HD51 Series

Operation Manual



- 1/3" Sony Super HAD CCD
- High Resolution:550 TV Lines
- 4 - 9mm DC Vari-focal Auto Iris
- Auto White Balance
- AGC, BLC, Flickerless On/Off
- Extra Video Output for Installer
- 3-Axis Camera Construction
- Vandal-Resistant Dome Housing
- Diameter of Bubble:100mm



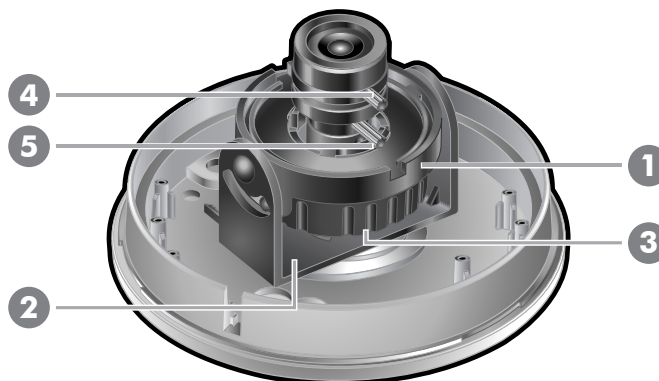
READ AND KEEP THIS OPERATION MANUAL

PRECAUTIONS:

- Do not install the camera in extreme temperature conditions.** Do use the camera under conditions where temperatures are within -20°C to 45°C. Be especially careful with ventilation under high temperatures.
- Do not disassemble the camera.** There are no user-serviceable parts inside it.
- Do not drop the camera or subject them to physical shocks.** It can cause malfunctions to occur.
- Note**
When this camera is installed near wireless communication devices that emits strong electromagnetic field, irregularity such as noise on the monitor may appear.

NAME AND FUNCTION:

Vari-focal Lens Type

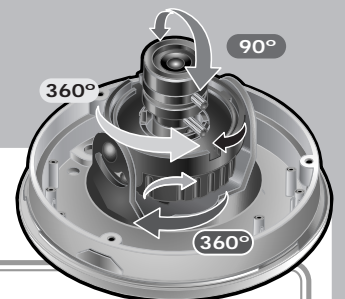


- 1 Tilt rotation:** Adjusting the vertical angle.
- 2 Pan rotation:** Adjusting the horizontal angle.
- 3 Horizontal rotation:** Adjusting the horizontal position of the screen.
- 4 Focus handle:** Focus (Far or Near)
- 5 Zoom handle:** Zoom (Tele or Wide)

Camera Lay-out

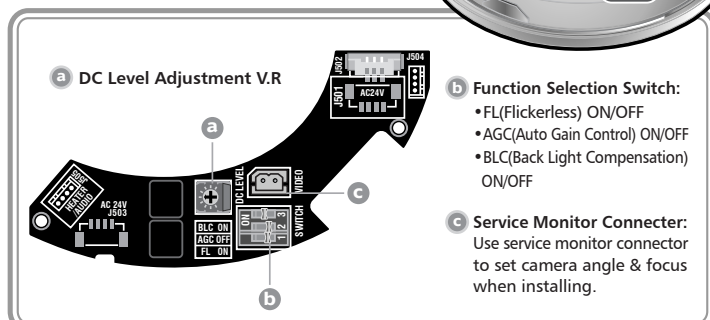
Design and specifications are subject to change without notice.

Built-in 3-axis camera bracket makes it much easier to rotate in any direction.



CAMERA SET-UP:

Vari-focal Lens Type



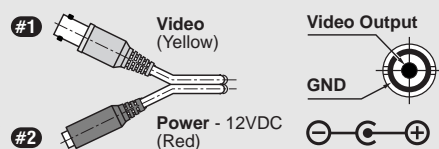
TROUBLESHOOTING:

If you have trouble operating your camera, refer to the following. If the guidelines do not enable you to solve the problem, contact an authorized technician.

- The image does not appear on the screen.**
 - Check the power source for the monitor and camera and ensure that the voltage and polarity are properly connected and being supplied correctly.
- The image on the screen is dim.**
 - Check if the lens is stained. If dirty, clean the lens with a soft, clean cloth.
 - Adjust the Back Focus of the lens again.
- The camera does not work properly, the surface of the camera case is hot, and a black line appears on the screen.**
 - Check if you have connected the camera to a proper power source and if there is no problem with the power, turn the unit off immediately and seek assistance from our Customer Service department.
- The screen blinks a lot.**
 - Check if the camera is pointed toward the sun or a fluorescent lamp.
 - Adjust the angle or location of the camera if too much light is coming into the screen.

CONNECTION:

- Connecting to Monitor and Power
- 12VDC Power Type



The wire is polarized. Use 12VDC power source.

No.	Function	Terminal Color	Remark
#1	Video Output	Yellow	1.0 Vp-p
#2	Power Input	Red	12VDC, Max 3W/ 250mA